

TOUGHTray

- Submittals -

(Covers Bulk Package)

6

5

4

3

2

1

TABLE 1 - NUMBER OF FIXING SCREWS		
TYPE OF APPLICATIONS	COVER LENGTH (FT)	SCREW QUANTITY (EA)
STANDARD	10	6
HIGH WIND LOAD	10	22

F

F

E

E

D

D

C

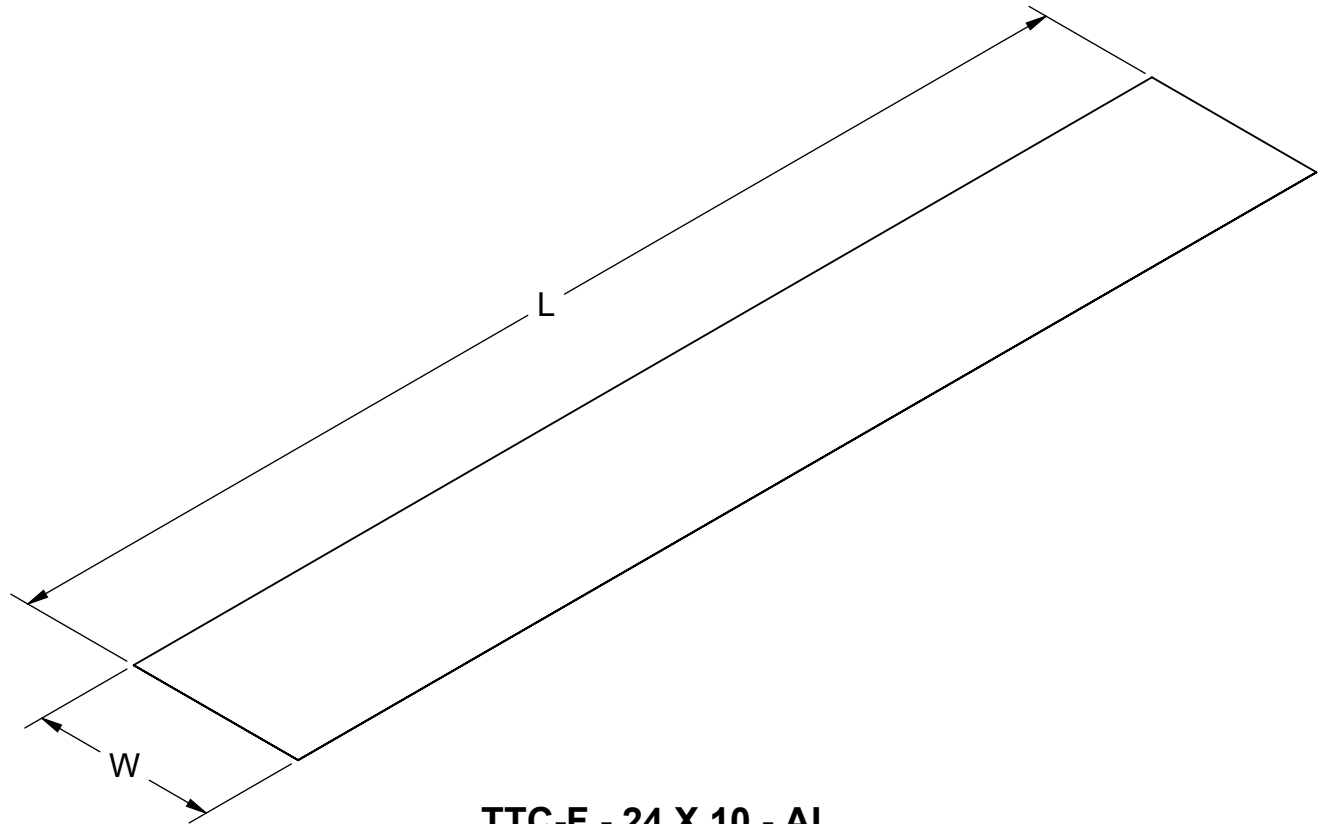
C

B

B

A

A



TTC-F - 24 X 10 - AL

SERIES
TTC-F = TOUGHTray
STRAIGHT SECTION
FLAT COVER

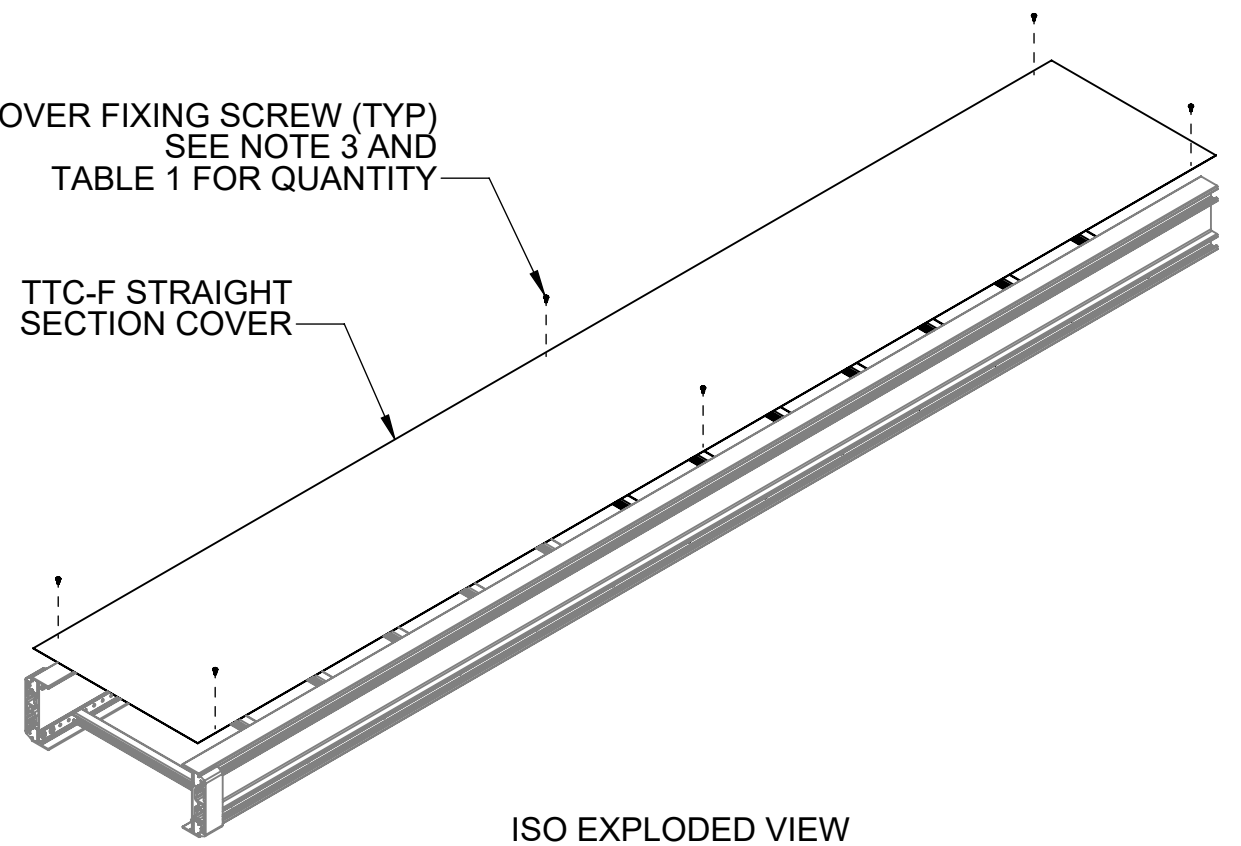
NOMINAL
WIDTH (W)
06 = 6"
09 = 9"
12 = 12"
18 = 18"
24 = 24"
30 = 30"
36 = 36"

NOMINAL
LENGTH (L)
10 = 10 FT

MATERIAL
AL = ALUMINUM

COVER FIXING SCREW (TYP)
SEE NOTE 3 AND
TABLE 1 FOR QUANTITY

TTC-F STRAIGHT
SECTION COVER



ISO EXPLODED VIEW

PATENT PENDING

NOTE(S):

- 1) DIMENSIONS SHOWN ARE IN INCHES UNLESS OTHERWISE NOTED.
- 2) ALL DIMENSIONS SHOWN ARE NOMINAL.
- 3) SUPPLIED WITH 6 PCS TORX HEAD SELF DRILLING SCREW. FOR HIGH WIND LOAD APPLICATION, ADDITIONAL 16 PCS FIXING SCREW TO BE ORDERED SEPARATELY.
 - a. STANDARD APPLICATION/LOW WIND LOAD - PROVIDE FIXING SCREWS AT EACH END AND AT THE CENTER HOLES OF THE COVER.
 - b. HIGH WIND LOAD APPLICATION - PROVIDE FIXING SCREW SPACED EVERY 12 INCHES

PROPRIETARY AND CONFIDENTIAL THE INFORMATION CONTAINED IN THIS DRAWING IS THE SOLE PROPERTY OF CT INNOVATIONS. ANY REPRODUCTION IN PART OR AS A WHOLE WITHOUT THE WRITTEN PERMISSION OF CT INNOVATIONS IS PROHIBITED.

	TITLE: TTC-F-(W)X10-AL TTC-F SERIES STRAIGHT SECTION FLAT COVER		
	DRAWN BY/DATE: LW 20DEC2023	SIZE: B	DWG. NO.: CTI-S49999
APPROVED BY/DATE: JDG 25OCT2023	SCALE: NTS	CAD FILE NAME: TTC-F-(W)X(L)-AL CAD SAVE DATE: Wednesday, December 20, 2023 12:22:56 PM	SHEET: 1 OF 1

6

5

4

3

2

1

6

5

4

3

2

1

F

F

E

E

D

D

C

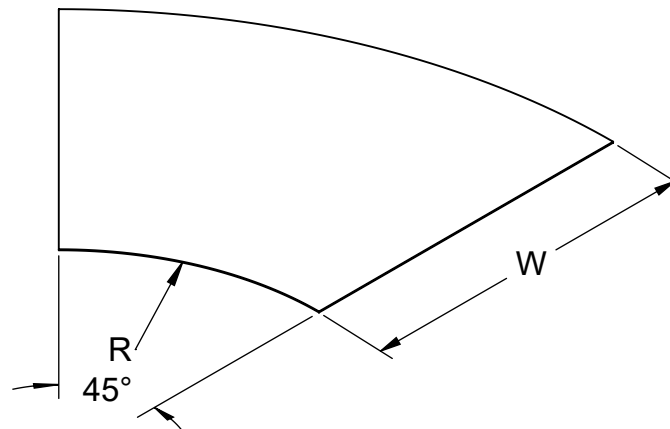
C

B

B

A

A



TTC - F - 12 - 30 HB 24 - AL

SERIES
TTC-F = TOUGHTray
FLAT COVER

NOMINAL
WIDTH (W)
06 = 6"
09 = 9"
12 = 12"
18 = 18"
24 = 24"
30 = 30"
36 = 36"

ANGLE
30 = 30°


TYPE
HB =
HORIZONTAL
BEND

RADIUS (R)
12 = 12"
24 = 24"
36 = 36"

MATERIAL
AL = ALUMINUM

PATENT PENDING

PROPRIETARY AND CONFIDENTIAL THE INFORMATION CONTAINED IN THIS DRAWING IS THE SOLE PROPERTY OF CT INNOVATIONS. ANY REPRODUCTION IN PART OR AS A WHOLE WITHOUT THE WRITTEN PERMISSION OF CT INNOVATIONS IS PROHIBITED.

 CT INNOVATIONS	TITLE: TTC-F-(W)-30HB(R) TTC-F SERIES HORIZONTAL BEND FLAT COVER		
	DRAWN BY/DATE: LW 20DEC2023	SIZE: B	DWG. NO.: CTI-S49994
APPROVED BY/DATE: JDG 24OCT2023	SCALE: NTS	CAD FILE NAME: TTC-(W)-(A)HB(R) CAD SAVE DATE: Wednesday, December 20, 2023 2:28:59 PM	SHEET: 1 OF 1

NOTE(S):

- 1) DIMENSIONS SHOWN ARE IN INCHES UNLESS OTHERWISE NOTED.
- 2) ALL DIMENSIONS SHOWN ARE NOMINAL.
- 3) SUPPLIED WITH COVER CLAMPS.

6

5

4

3

2

1

6

5

4

3

2

1

F

F

E

E

D

D

C

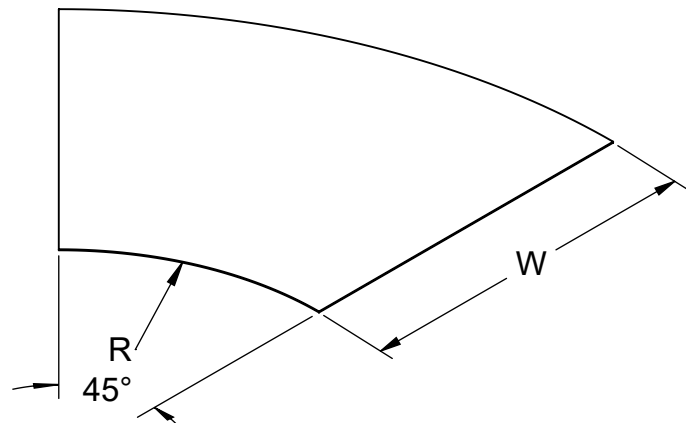
C

B

B

A

A




TTC - F - 12 - 45 HB 24 - AL

<p>SERIES TTC-F = TOUGHTray FLAT COVER</p>	<p>NOMINAL WIDTH (W) 06 = 6" 09 = 9" 12 = 12" 18 = 18" 24 = 24" 30 = 30" 36 = 36"</p>	<p>ANGLE 45 = 45°</p>	<p>TYPE HB = HORIZONTAL BEND</p>	<p>RADIUS (R) 12 = 12" 24 = 24" 36 = 36"</p>	<p>MATERIAL AL = ALUMINUM</p>
-----------------------------------------------------------	--------------------------------------------------------------------------------------------------------------------------	----------------------------------	-----------------------------------------------------	-----------------------------------------------------------------	------------------------------------------

PATENT PENDING

PROPRIETARY AND CONFIDENTIAL THE INFORMATION CONTAINED IN THIS DRAWING IS THE SOLE PROPERTY OF CT INNOVATIONS. ANY REPRODUCTION IN PART OR AS A WHOLE WITHOUT THE WRITTEN PERMISSION OF CT INNOVATIONS IS PROHIBITED.

 CT INNOVATIONS	<p>TITLE: TTC-F-(W)-45HB(R) TTC-F SERIES HORIZONTAL BEND FLAT COVER</p>		
	<p>DRAWN BY/DATE: LW 20DEC2023</p>	<p>SIZE: B</p>	<p>DWG. NO.: CTI-S49995</p>
<p>APPROVED BY/DATE: JDG 24OCT2023</p>	<p>SCALE: NTS</p>	<p>CAD FILE NAME: TTC-(W)-(A)HB(R) CAD SAVE DATE: Wednesday, December 20, 2023 2:59:42 PM</p>	<p>SHEET: 1 OF 1</p>

NOTE(S):
 1) DIMENSIONS SHOWN ARE IN INCHES UNLESS OTHERWISE NOTED.
 2) ALL DIMENSIONS SHOWN ARE NOMINAL.
 3) SUPPLIED WITH COVER CLAMPS.

6

5

4

3

2

1

6

5

4

3

2

1

F

F

E

E

D

D

C

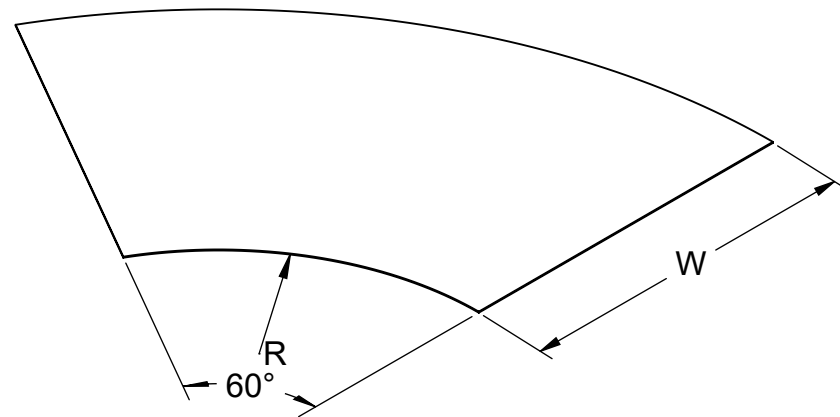
C

B

B

A

A



TTC - F - 12 - 60 HB 24 - AL

SERIES
TTC-F = TOUGHTray
FLAT COVER

NOMINAL
WIDTH (W)
06 = 6"
09 = 9"
12 = 12"
18 = 18"
24 = 24"
30 = 30"
36 = 36"

ANGLE
60 = 60°

TYPE
HB =
HORIZONTAL
BEND

RADIUS (R)
12 = 12"
24 = 24"
36 = 36"


MATERIAL
AL = ALUMINUM

PATENT PENDING

NOTE(S):

- 1) DIMENSIONS SHOWN ARE IN INCHES UNLESS OTHERWISE NOTED.
- 2) ALL DIMENSIONS SHOWN ARE NOMINAL.
- 3) SUPPLIED WITH COVER CLAMPS.
- 4) SUPPLIED IN 2 PCS (2 x 30°):
 - a. 24", 30", 36" WIDTH, 24" and 36" RADIUS

PROPRIETARY AND CONFIDENTIAL THE INFORMATION CONTAINED IN THIS DRAWING IS THE SOLE PROPERTY OF CT INNOVATIONS. ANY REPRODUCTION IN PART OR AS A WHOLE WITHOUT THE WRITTEN PERMISSION OF CT INNOVATIONS IS PROHIBITED.

 CT INNOVATIONS	TITLE: TTC-F-(W)-60HB(R) TTC-F SERIES HORIZONTAL BEND FLAT COVER		
	DRAWN BY/DATE: LW 20DEC2023	SIZE: B	DWG. NO.: CTI-S49996
APPROVED BY/DATE: JDG 24OCT2023	SCALE: NTS	CAD FILE NAME: TTC-(W)-(A)HB(R) CAD SAVE DATE: Wednesday, December 20, 2023 2:48:38 PM	SHEET: 1 OF 1

6

5

4

3

2

1

6

5

4

3

2

1

F

F

E

E

D

D

C

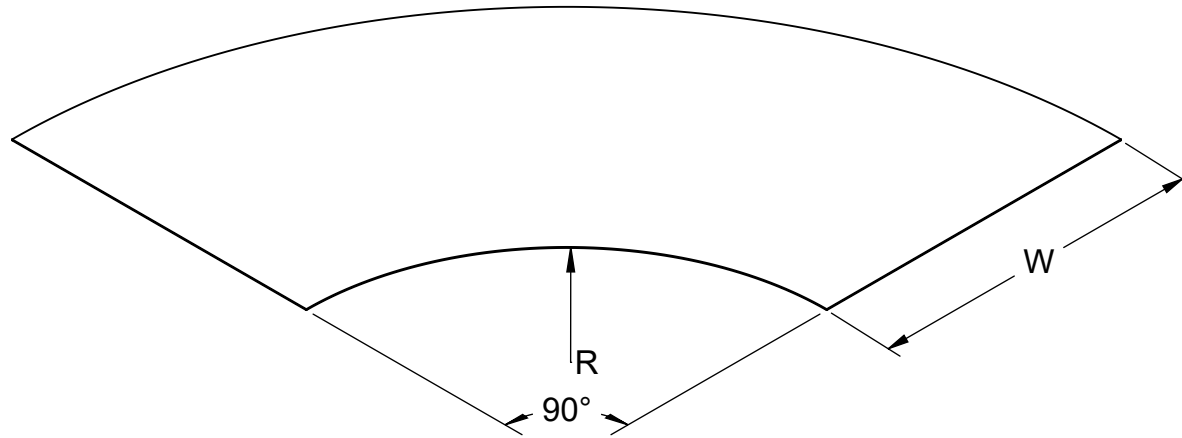
C

B

B

A

A



TTC - F - 12 - 90 HB 24 - AL


<p>SERIES TTC-F = TOUGHTray FLAT COVER</p>	<p>NOMINAL WIDTH (W) 06 = 6" 09 = 9" 12 = 12" 18 = 18" 24 = 24" 30 = 30" 36 = 36"</p>	<p>ANGLE 90 = 90°</p>	<p>TYPE HB = HORIZONTAL BEND</p>	<p>RADIUS (R) 12 = 12" 24 = 24" 36 = 36"</p>	<p>MATERIAL AL = ALUMINUM</p>
-----------------------------------------------------------	--------------------------------------------------------------------------------------------------------------------------	----------------------------------	-----------------------------------------------------	-----------------------------------------------------------------	------------------------------------------

PATENT PENDING

NOTE(S):

- 1) DIMENSIONS SHOWN ARE IN INCHES UNLESS OTHERWISE NOTED.
- 2) ALL DIMENSIONS SHOWN ARE NOMINAL.
- 3) SUPPLIED WITH COVER CLAMPS.
- 4) SUPPLIED IN 2 PCS (2 x 45°):
 - a. 18", 24", 30", 36" WIDTH, 24" RADIUS
 - b. 6", 9", 12", 18", 24", 30", 36" WIDTH, 36" RADIUS

PROPRIETARY AND CONFIDENTIAL THE INFORMATION CONTAINED IN THIS DRAWING IS THE SOLE PROPERTY OF CT INNOVATIONS. ANY REPRODUCTION IN PART OR AS A WHOLE WITHOUT THE WRITTEN PERMISSION OF CT INNOVATIONS IS PROHIBITED.

 CT INNOVATIONS	<p>TITLE: TTC-F-(W)-90HB(R) TTC-F SERIES HORIZONTAL BEND FLAT COVER</p>		
<p>DRAWN BY/DATE: LW 20DEC2023</p>	<p>SIZE: B</p>	<p>DWG. NO.: CTI-S49997</p>	<p>REV: C</p>
<p>APPROVED BY/DATE: JDG 24OCT2023</p>	<p>SCALE: NTS</p>	<p>CAD FILE NAME: TTC-(W)-(A)HB(R) CAD SAVE DATE: Wednesday, December 20, 2023 2:58:56 PM</p>	<p>SHEET: 1 OF 1</p>

6

5

4

3

2

1

6

5

4

3

2

1

F

F

E

E

D

D

C

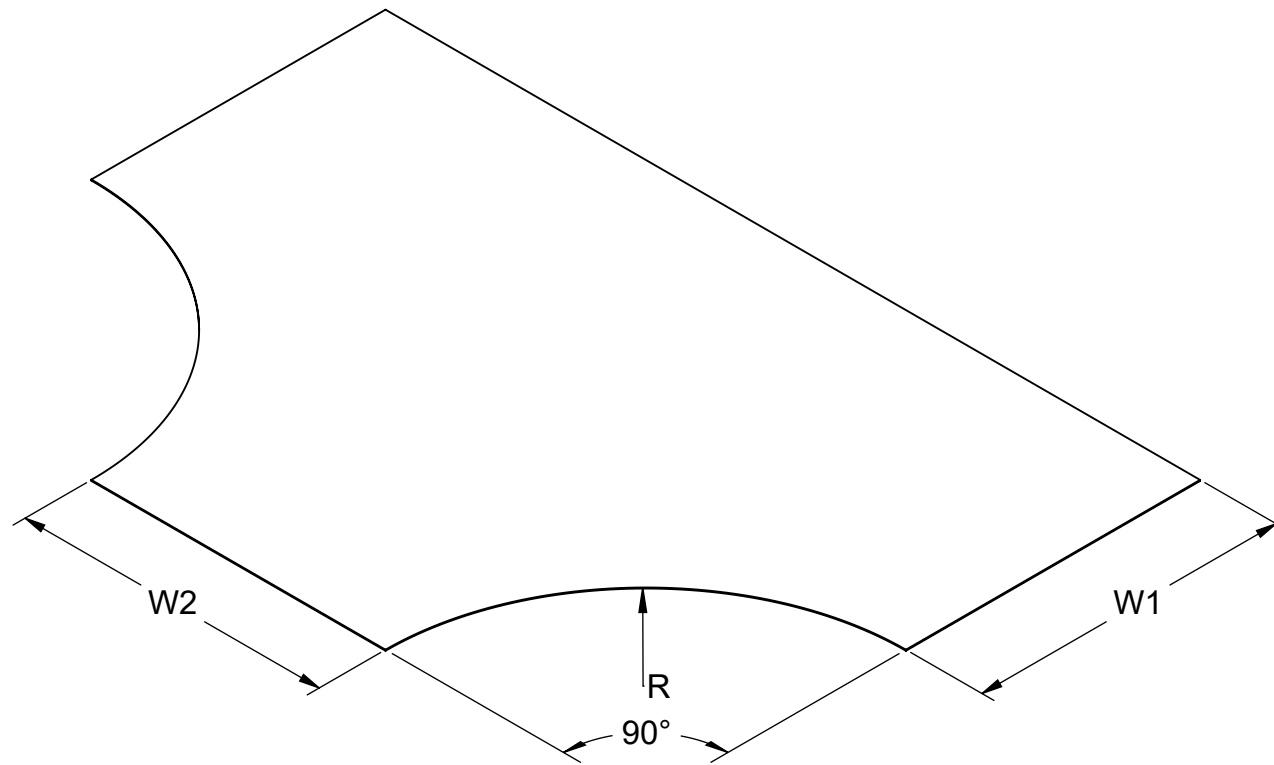
C

B

B

A

A




TTC - F - 12 X 12 - HT 24 - AL

SERIES TTC-F = TOUGHTray FLAT COVER	NOMINAL WIDTH 1 (W1) 06 = 6" 09 = 9" 12 = 12" 18 = 18" 24 = 24" 30 = 30" 36 = 36"	NOMINAL WIDTH 2 (W2) 06 = 6" 09 = 9" 12 = 12" 18 = 18" 24 = 24" 30 = 30" 36 = 36"	TYPE HT = HORIZONTAL TEE	RADIUS (R) 12 = 12" 24 = 24" 36 = 36"	MATERIAL AL = ALUMINUM
--------------------------------------------------	---------------------------------------------------------------------------------------------------------------	---------------------------------------------------------------------------------------------------------------	------------------------------------------	-------------------------------------------------------	----------------------------------

PATENT PENDING

NOTE(S):

- 1) DIMENSIONS SHOWN ARE IN INCHES UNLESS OTHERWISE NOTED.
- 2) ALL DIMENSIONS SHOWN ARE NOMINAL.
- 3) SUPPLIED WITH COVER CLAMPS.
- 4) SUPPLIED IN 2 PCS:
 - a. 30", 36" WIDTH, 12" RADIUS
 - b. 18", 24", 30", 36" WIDTH, 24" RADIUS
 - c. 6", 9", 12", 18", 24", 30", 36" WIDTH, 36" RADIUS

PROPRIETARY AND CONFIDENTIAL THE INFORMATION CONTAINED IN THIS DRAWING IS THE SOLE PROPERTY OF CT INNOVATIONS. ANY REPRODUCTION IN PART OR AS A WHOLE WITHOUT THE WRITTEN PERMISSION OF CT INNOVATIONS IS PROHIBITED.				
 CT INNOVATIONS	TITLE: TTC-F-(W1)X(W2)-HT(R) TTC-F SERIES HORIZONTAL TEE FLAT COVER			
	DRAWN BY/DATE: LW 20DEC2023	SIZE: B	DWG. NO.: CTI-S49984	REV: C
	APPROVED BY/DATE: JDG 31OCT2023	SCALE: NTS	CAD FILE NAME: TTC-(W)-90HT(R) CAD SAVE DATE: Wednesday, December 20, 2023 11:32:10 AM	SHEET: 1 OF 1

6

5

4

3

2

1

6

5

4

3

2

1

F

F

E

E

D

D

C

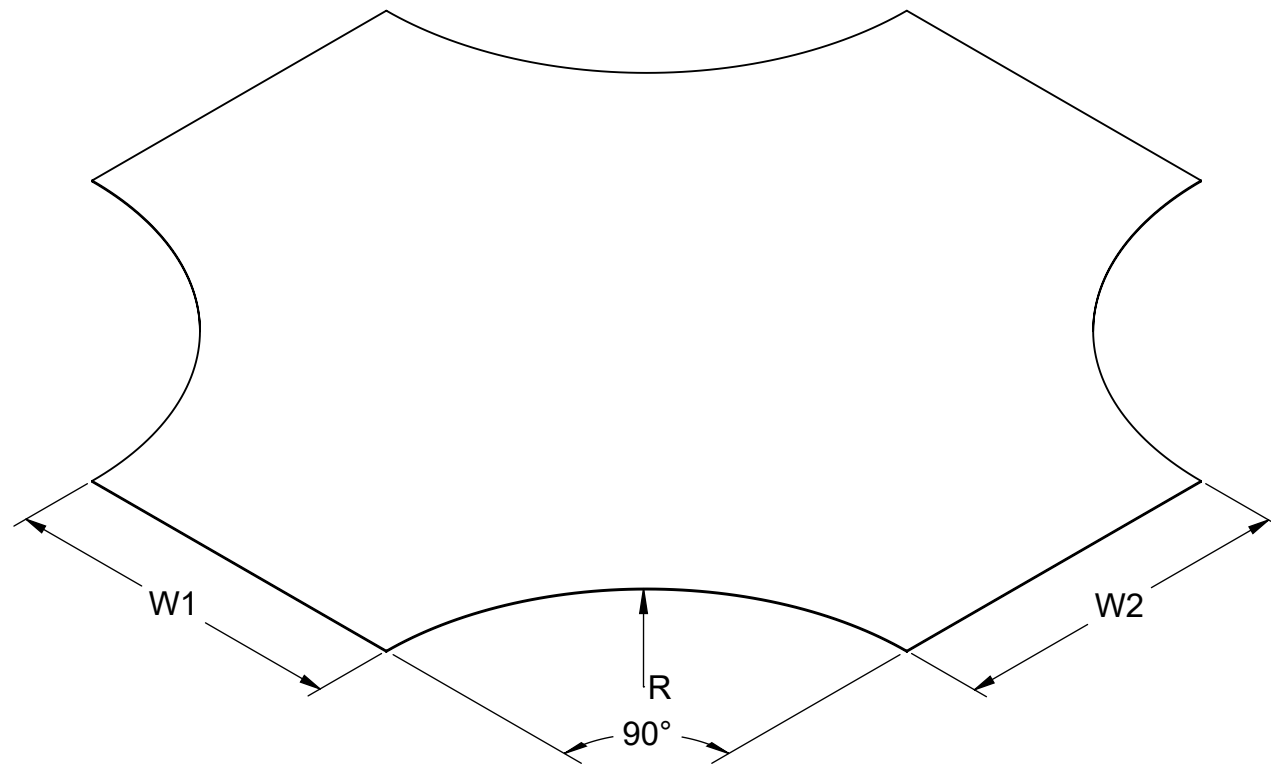
C

B

B

A

A



TTC - F - 12 X 12 - HX 24 - AL


SERIES TTC-F = TOUGHTray FLAT COVER	NOMINAL WIDTH 1 (W1) 06 = 6" 09 = 9" 12 = 12" 18 = 18" 24 = 24" 30 = 30" 36 = 36"	NOMINAL WIDTH 2 (W2) 06 = 6" 09 = 9" 12 = 12" 18 = 18" 24 = 24" 30 = 30" 36 = 36"	TYPE HX = HORIZONTAL CROSS	RADIUS (R) 12 = 12" 24 = 24" 36 = 36"	MATERIAL AL = ALUMINUM
-------------------------------------------	-----------------------------------------------------------------------------------------------------------	-----------------------------------------------------------------------------------------------------------	-------------------------------------	------------------------------------------------	---------------------------

PATENT PENDING

NOTE(S):

- 1) DIMENSIONS SHOWN ARE IN INCHES UNLESS OTHERWISE NOTED.
- 2) ALL DIMENSIONS SHOWN ARE NOMINAL.
- 3) SUPPLIED WITH COVER CLAMPS.
- 4) SUPPLIED IN 3 PCS:
 - a. 18", 24", 30", 36" WIDTH, 12" RADIUS
 - b. 6", 9", 12", 18", 24", 30", 36" WIDTH, 24" AND 36" RADIUS

PROPRIETARY AND CONFIDENTIAL THE INFORMATION CONTAINED IN THIS DRAWING IS THE SOLE PROPERTY OF CT INNOVATIONS. ANY REPRODUCTION IN PART OR AS A WHOLE WITHOUT THE WRITTEN PERMISSION OF CT INNOVATIONS IS PROHIBITED.

 CT INNOVATIONS	TITLE: TTC-F-(W1)X(W2)-HX(R) TTC-F SERIES HORIZONTAL CROSS FLAT COVER		
	DRAWN BY/DATE: LW 20DEC2023	SIZE: B	DWG. NO.: CTI-S49985
APPROVED BY/DATE: JDG 31OCT2023	SCALE: NTS	CAD FILE NAME: TTC-(W)-90HX(R) CAD SAVE DATE: Wednesday, December 20, 2023 11:35:15 AM	SHEET: 1 OF 1

6

5

4

3

2

1

6

5

4

3

2

1

F

F

E

E

D

D

C

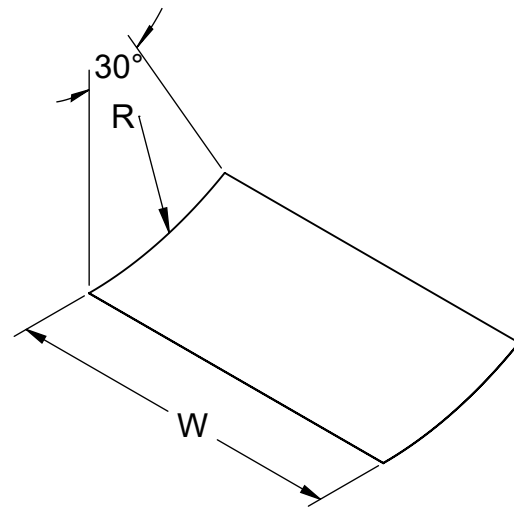
C

B

B

A

A




TTC - F - 12 - 30 VI 24 - AL

<p>SERIES TTC-F = TOUGHTray FLAT COVER</p>	<p>NOMINAL WIDTH (W) 06 = 6" 09 = 9" 12 = 12" 18 = 18" 24 = 24" 30 = 30" 36 = 36"</p>	<p>ANGLE 30 = 30°</p>	<p>TYPE VI = VERTICAL INSIDE BEND</p>	<p>RADIUS (R) 12 = 12" 24 = 24" 36 = 36"</p>	<p>MATERIAL AL = ALUMINUM</p>
-----------------------------------------------------------	--------------------------------------------------------------------------------------------------------------------------	----------------------------------	--------------------------------------------------------------	-----------------------------------------------------------------	------------------------------------------

PATENT PENDING

PROPRIETARY AND CONFIDENTIAL THE INFORMATION CONTAINED IN THIS DRAWING IS THE SOLE PROPERTY OF CT INNOVATIONS. ANY REPRODUCTION IN PART OR AS A WHOLE WITHOUT THE WRITTEN PERMISSION OF CT INNOVATIONS IS PROHIBITED.

 CT INNOVATIONS		TTC-F-(W)-30VI(R) TTC-F SERIES VERTICAL INSIDE BEND FLAT COVER		
DRAWN BY/DATE: LW 20DEC2023		SIZE: B	DWG. NO.: CTI-S49986	REV: C
APPROVED BY/DATE: JDG 24OCT2023		SCALE: NTS	CAD FILE NAME: TTC-(W)-(A)VI(R) CAD SAVE DATE: Wednesday, December 20, 2023 12:18:26 PM	SHEET: 1 OF 1

NOTE(S):

- 1) DIMENSIONS SHOWN ARE IN INCHES UNLESS OTHERWISE NOTED.
- 2) ALL DIMENSIONS SHOWN ARE NOMINAL.
- 3) SUPPLIED WITH COVER CLAMPS.

6

5

4

3

2

1

6

5

4

3

2

1

F

F

E

E

D

D

C

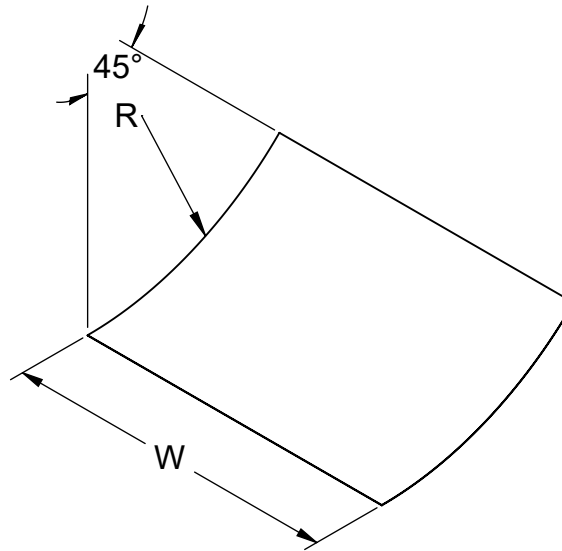
C

B

B

A

A



TTC - F - 12 - 45 VI 24 - AL

SERIES
TTC-F = TOUGHTray
FLAT COVER

NOMINAL
WIDTH (W)
06 = 6"
09 = 9"
12 = 12"
18 = 18"
24 = 24"
30 = 30"
36 = 36"

ANGLE
45 = 45°

TYPE
VI =
VERTICAL
INSIDE
BEND

RADIUS (R)
12 = 12"
24 = 24"
36 = 36"


MATERIAL
AL = ALUMINUM

PATENT PENDING

NOTE(S):

- 1) DIMENSIONS SHOWN ARE IN INCHES UNLESS OTHERWISE NOTED.
- 2) ALL DIMENSIONS SHOWN ARE NOMINAL.
- 3) SUPPLIED WITH COVER CLAMPS.

PROPRIETARY AND CONFIDENTIAL THE INFORMATION CONTAINED IN THIS DRAWING IS THE SOLE PROPERTY OF CT INNOVATIONS. ANY REPRODUCTION IN PART OR AS A WHOLE WITHOUT THE WRITTEN PERMISSION OF CT INNOVATIONS IS PROHIBITED.

 CT INNOVATIONS	TITLE: TTC-F-(W)-45VI(R) TTC-F SERIES VERTICAL INSIDE BEND FLAT COVER			
	DRAWN BY/DATE: LW 20DEC2023	SIZE: B	DWG. NO.: CTI-S49987	REV: C
	APPROVED BY/DATE: JDG 24OCT2023	SCALE: NTS	CAD FILE NAME: TTC-(W)-(A)VI(R) CAD SAVE DATE: Wednesday, December 20, 2023 12:19:20 PM	SHEET: 1 OF 1

6

5

4

3

2

1

6

5

4

3

2

1

F

F

E

E

D

D

C

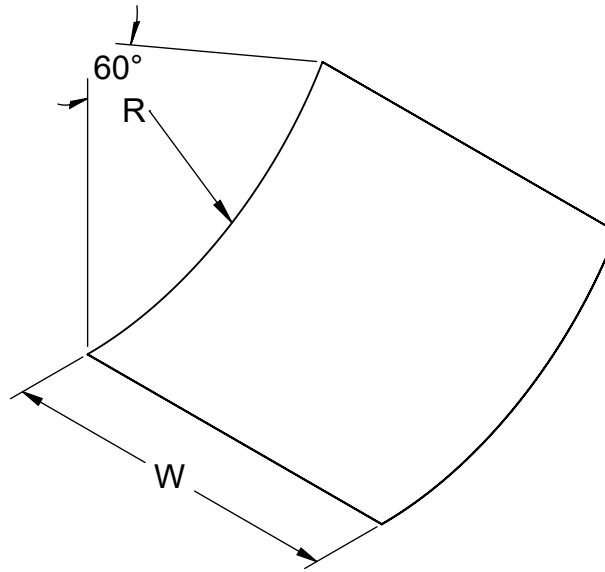
C

B

B

A

A



TTC - F - 12 - 60 VI 24 - AL

SERIES
TTC-F = TOUGHTray
FLAT COVER

NOMINAL
WIDTH (W)
06 = 6"
09 = 9"
12 = 12"
18 = 18"
24 = 24"
30 = 30"
36 = 36"

ANGLE
60 = 60°


TYPE
VI =
VERTICAL
INSIDE
BEND

RADIUS (R)
12 = 12"
24 = 24"
36 = 36"

MATERIAL
AL = ALUMINUM

PATENT PENDING

PROPRIETARY AND CONFIDENTIAL THE INFORMATION CONTAINED IN THIS DRAWING IS THE SOLE PROPERTY OF CT INNOVATIONS. ANY REPRODUCTION IN PART OR AS A WHOLE WITHOUT THE WRITTEN PERMISSION OF CT INNOVATIONS IS PROHIBITED.

 CT INNOVATIONS	TITLE: TTC-F-(W)-60VI(R) TTC-F SERIES VERTICAL INSIDE BEND FLAT COVER			
	DRAWN BY/DATE: LW 20DEC2023	SIZE: B	DWG. NO.: CTI-S49988	REV: C
	APPROVED BY/DATE: JDG 24OCT2023	SCALE: NTS	CAD FILE NAME: TTC-(W)-(A)VI(R) CAD SAVE DATE: Wednesday, December 20, 2023 11:58:54 AM	SHEET: 1 OF 1

NOTE(S):

- 1) DIMENSIONS SHOWN ARE IN INCHES UNLESS OTHERWISE NOTED.
- 2) ALL DIMENSIONS SHOWN ARE NOMINAL.
- 3) SUPPLIED WITH COVER CLAMPS.

6

5

4

3

2

1

6

5

4

3

2

1

F

F

E

E

D

D

C

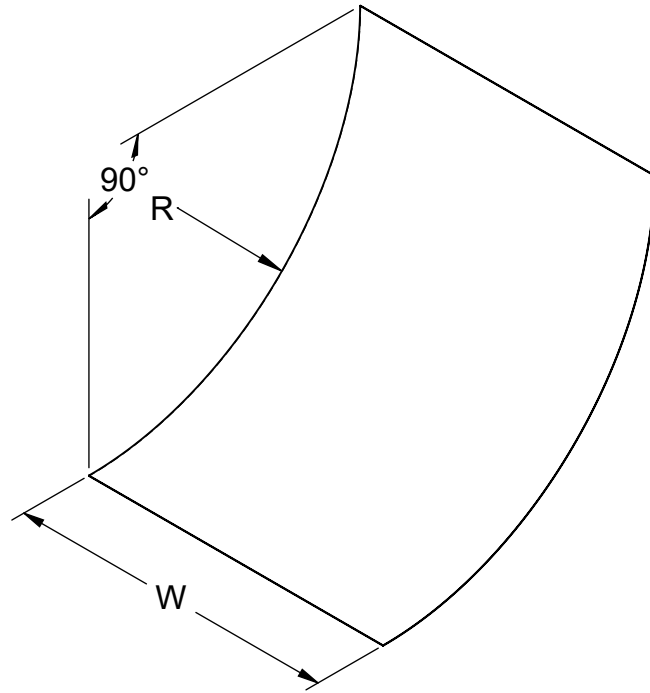
C

B

B

A

A




TTC - F - 12 - 90 VI 24 - AL

<p>SERIES TTC-F = TOUGHTray FLAT COVER</p>	<p>NOMINAL WIDTH (W) 06 = 6" 09 = 9" 12 = 12" 18 = 18" 24 = 24" 30 = 30" 36 = 36"</p>	<p>ANGLE 90 = 90°</p>	<p>TYPE VI = VERTICAL INSIDE BEND</p>	<p>RADIUS (R) 12 = 12" 24 = 24" 36 = 36"</p>	<p>MATERIAL AL = ALUMINUM</p>
-----------------------------------------------------------	--------------------------------------------------------------------------------------------------------------------------	----------------------------------	--------------------------------------------------------------	-----------------------------------------------------------------	------------------------------------------

PATENT PENDING

PROPRIETARY AND CONFIDENTIAL THE INFORMATION CONTAINED IN THIS DRAWING IS THE SOLE PROPERTY OF CT INNOVATIONS. ANY REPRODUCTION IN PART OR AS A WHOLE WITHOUT THE WRITTEN PERMISSION OF CT INNOVATIONS IS PROHIBITED.

 CT INNOVATIONS	TTC-F-(W)-90VI(R) TTC-F SERIES VERTICAL INSIDE BEND FLAT COVER			
	DRAWN BY/DATE: LW 20DEC2023	SIZE: B	DWG. NO.: CTI-S49989	REV: C
	APPROVED BY/DATE: JDG 24OCT2023	SCALE: NTS	CAD FILE NAME: TTC-(W)-(A)VI(R) CAD SAVE DATE: Wednesday, December 20, 2023 11:49:35 AM	SHEET: 1 OF 1

NOTE(S):

- 1) DIMENSIONS SHOWN ARE IN INCHES UNLESS OTHERWISE NOTED.
- 2) ALL DIMENSIONS SHOWN ARE NOMINAL.
- 3) SUPPLIED WITH COVER CLAMPS.

6

5

4

3

2

1

6

5

4

3

2

1

F

F

E

E

D

D

C

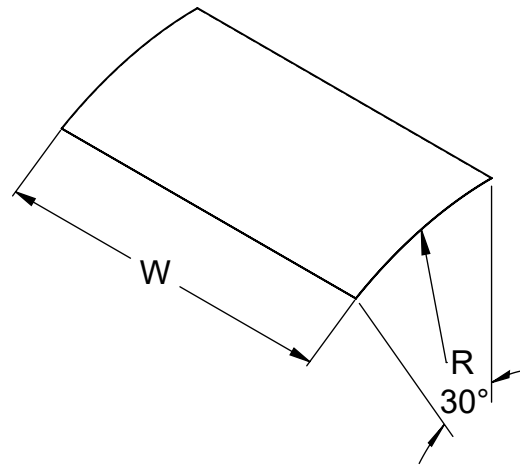
C

B

B

A

A



TTC - F - 12 - 30 VO 24 - AL


<p>SERIES TTC-F = TOUGHTray FLAT COVER</p>	<p>NOMINAL WIDTH (W) 06 = 6" 09 = 9" 12 = 12" 18 = 18" 24 = 24" 30 = 30" 36 = 36"</p>	<p>ANGLE 30 = 30°</p>	<p>TYPE VO = VERTICAL OUTSIDE BEND</p>	<p>RADIUS (R) 12 = 12" 24 = 24" 36 = 36"</p>	<p>MATERIAL AL = ALUMINUM</p>
-----------------------------------------------------------	--------------------------------------------------------------------------------------------------------------------------	----------------------------------	---------------------------------------------------------------	-----------------------------------------------------------------	------------------------------------------

PATENT PENDING

NOTE(S):

- 1) DIMENSIONS SHOWN ARE IN INCHES UNLESS OTHERWISE NOTED.
- 2) ALL DIMENSIONS SHOWN ARE NOMINAL.
- 3) SUPPLIED WITH COVER CLAMPS.

PROPRIETARY AND CONFIDENTIAL THE INFORMATION CONTAINED IN THIS DRAWING IS THE SOLE PROPERTY OF CT INNOVATIONS. ANY REPRODUCTION IN PART OR AS A WHOLE WITHOUT THE WRITTEN PERMISSION OF CT INNOVATIONS IS PROHIBITED.

 CT INNOVATIONS		TTC-F-(W)-30VO(R) TTC-F SERIES VERTICAL OUTSIDE BEND FLAT COVER	
DRAWN BY/DATE: LW 20DEC2023	SIZE: B	DWG. NO.: CTI-S49990	REV: C
APPROVED BY/DATE: JDG 24OCT2023	SCALE: NTS	CAD FILE NAME: TTC-(W)-(A)VI(R) CAD SAVE DATE: Wednesday, December 20, 2023 12:17:34 PM	SHEET: 1 OF 1

6

5

4

3

2

1

6

5

4

3

2

1

F

F

E

E

D

D

C

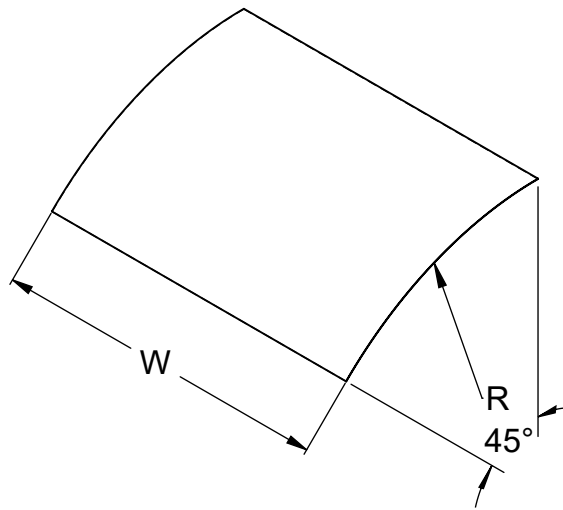
C

B

B

A

A




TTC - F - 12 - 45 VO 24 - AL

<p>SERIES TTC-F = TOUGHTray FLAT COVER</p>	<p>NOMINAL WIDTH (W) 06 = 6" 09 = 9" 12 = 12" 18 = 18" 24 = 24" 30 = 30" 36 = 36"</p>	<p>ANGLE 45 = 45°</p>	<p>TYPE VO = VERTICAL OUTSIDE BEND</p>	<p>RADIUS (R) 12 = 12" 24 = 24" 36 = 36"</p>	<p>MATERIAL AL = ALUMINUM</p>
-----------------------------------------------------------	--------------------------------------------------------------------------------------------------------------------------	----------------------------------	---------------------------------------------------------------	-----------------------------------------------------------------	------------------------------------------

PATENT PENDING

PROPRIETARY AND CONFIDENTIAL THE INFORMATION CONTAINED IN THIS DRAWING IS THE SOLE PROPERTY OF CT INNOVATIONS. ANY REPRODUCTION IN PART OR AS A WHOLE WITHOUT THE WRITTEN PERMISSION OF CT INNOVATIONS IS PROHIBITED.

 CT INNOVATIONS	<p>TITLE: TTC-F-(W)-45VO(R) TTC-F SERIES VERTICAL OUTSIDE BEND FLAT COVER</p>		
	<p>DRAWN BY/DATE: LW 20DEC2023</p>	<p>SIZE: B</p>	<p>DWG. NO.: CTI-S49991</p>
<p>APPROVED BY/DATE: JDG 24OCT2023</p>	<p>SCALE: NTS</p>	<p>CAD FILE NAME: TTC-(W)-(A)(V)(R) CAD SAVE DATE: Wednesday, December 20, 2023 2:42:44 PM</p>	<p>SHEET: 1 OF 1</p>

NOTE(S):

- 1) DIMENSIONS SHOWN ARE IN INCHES UNLESS OTHERWISE NOTED.
- 2) ALL DIMENSIONS SHOWN ARE NOMINAL.
- 3) SUPPLIED WITH COVER CLAMPS.

6

5

4

3

2

1

6

5

4

3

2

1

F

F

E

E

D

D

C

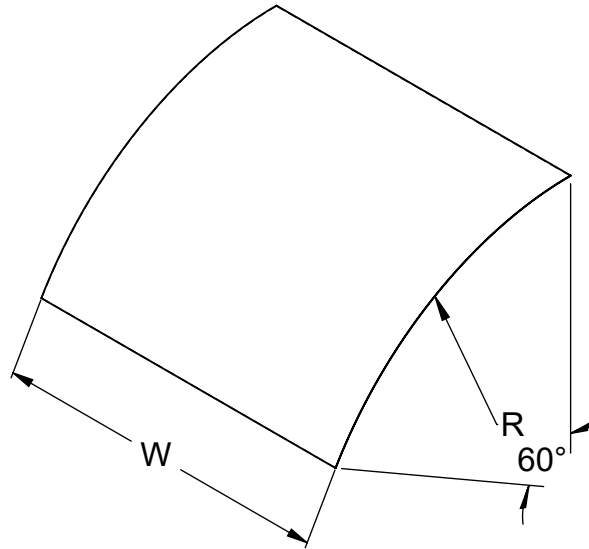
C

B

B

A

A




TTC - F - 12 - 60 VO 24 - AL

<p>SERIES TTC-F = TOUGHTray FLAT COVER</p>	<p>NOMINAL WIDTH (W) 06 = 6" 09 = 9" 12 = 12" 18 = 18" 24 = 24" 30 = 30" 36 = 36"</p>	<p>ANGLE 60 = 60°</p>	<p>TYPE VO = VERTICAL OUTSIDE BEND</p>	<p>RADIUS (R) 12 = 12" 24 = 24" 36 = 36"</p>	<p>MATERIAL AL = ALUMINUM</p>
-----------------------------------------------------------	--------------------------------------------------------------------------------------------------------------------------	----------------------------------	---------------------------------------------------------------	-----------------------------------------------------------------	------------------------------------------

PATENT PENDING

PROPRIETARY AND CONFIDENTIAL THE INFORMATION CONTAINED IN THIS DRAWING IS THE SOLE PROPERTY OF CT INNOVATIONS. ANY REPRODUCTION IN PART OR AS A WHOLE WITHOUT THE WRITTEN PERMISSION OF CT INNOVATIONS IS PROHIBITED.

 CT INNOVATIONS		TTC-F-(W)-60VO(R) TTC-F SERIES VERTICAL OUTSIDE BEND FLAT COVER	
DRAWN BY/DATE: LW 20DEC2023	SIZE: B	DWG. NO.: CTI-S49992	REV: C
APPROVED BY/DATE: JDG 24OCT2023	SCALE: NTS	CAD FILE NAME: TTC-(W)-(A)(V)(R) CAD SAVE DATE: Wednesday, December 20, 2023 2:38:59 PM	SHEET: 1 OF 1

NOTE(S):

- 1) DIMENSIONS SHOWN ARE IN INCHES UNLESS OTHERWISE NOTED.
- 2) ALL DIMENSIONS SHOWN ARE NOMINAL.
- 3) SUPPLIED WITH COVER CLAMPS.

6

5

4

3

2

1

6

5

4

3

2

1

F

F

E

E

D

D

C

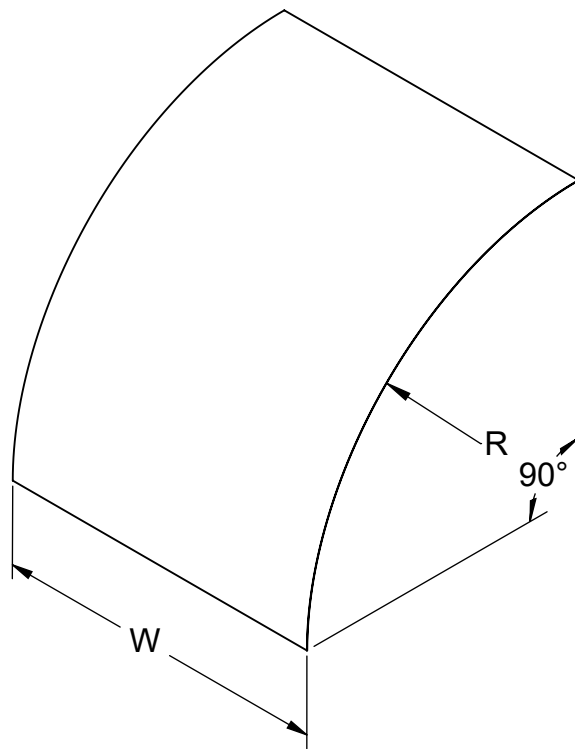
C

B

B

A

A



TTC - F - 12 - 90 VO 24 - AL

SERIES
TTC-F = TOUGHTray
FLAT COVER

NOMINAL
WIDTH (W)
06 = 6"
09 = 9"
12 = 12"
18 = 18"
24 = 24"
30 = 30"
36 = 36"

ANGLE
90 = 90°


TYPE
VO =
VERTICAL
OUTSIDE
BEND

RADIUS (R)
12 = 12"
24 = 24"
36 = 36"

MATERIAL
AL = ALUMINUM

PATENT PENDING

PROPRIETARY AND CONFIDENTIAL THE INFORMATION CONTAINED IN THIS DRAWING IS THE SOLE PROPERTY OF CT INNOVATIONS. ANY REPRODUCTION IN PART OR AS A WHOLE WITHOUT THE WRITTEN PERMISSION OF CT INNOVATIONS IS PROHIBITED.

 CT INNOVATIONS	TITLE: TTC-F-(W)-90VO(R) TTC-F SERIES VERTICAL OUTSIDE BEND FLAT COVER			
	DRAWN BY/DATE: LW 20DEC2023	SIZE: B	DWG. NO.: CTI-S49993	REV: C
	APPROVED BY/DATE: JDG 24OCT2023	SCALE: NTS	CAD FILE NAME: TTC-(W)-(A)VI(R) CAD SAVE DATE: Wednesday, December 20, 2023 2:29:56 PM	SHEET: 1 OF 1

NOTE(S):

- 1) DIMENSIONS SHOWN ARE IN INCHES UNLESS OTHERWISE NOTED.
- 2) ALL DIMENSIONS SHOWN ARE NOMINAL.
- 3) SUPPLIED WITH COVER CLAMPS.

6

5

4

3

2

1